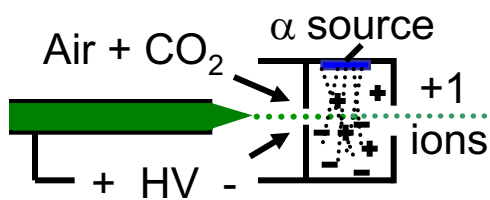


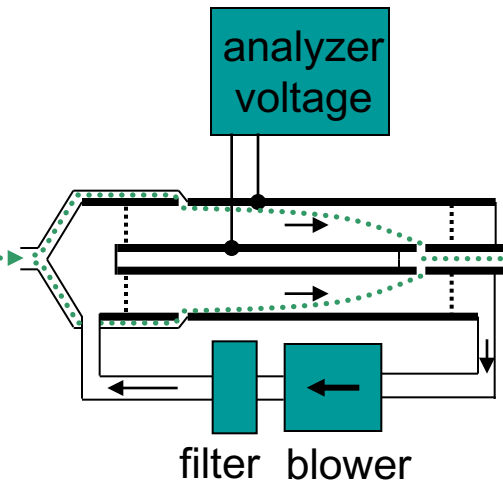
MACROION MOBILITY SPECTROMETER

Charge-reduced
ESI Source



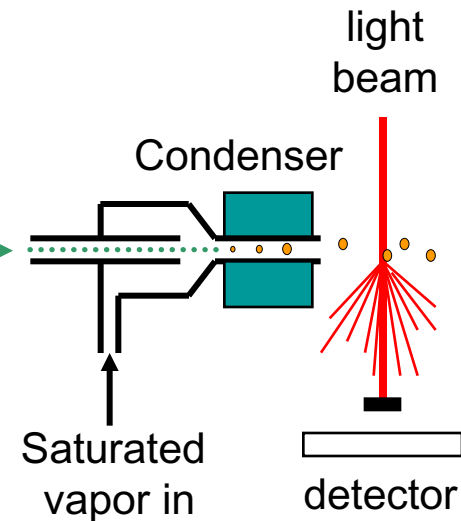
Generation of singly-charged macroions in the gas-phase

Ion Mobility
Drift Cell



Separation of macroions at atmospheric pressure based on ion mobility

Macroion
Detector



Condensation growth of macroions followed by light scattering detection

